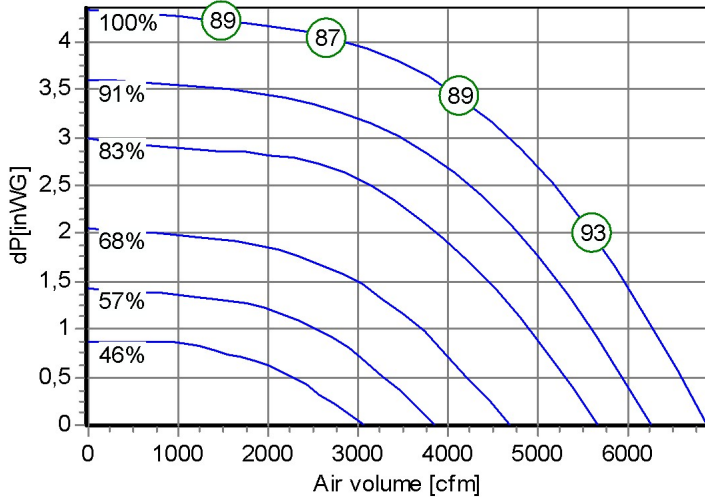




GKH_CIW 500-CIW155.6IF (3x400V)

26.11.2012

High efficiency radial fan
 With EC-motor



Requested operating point

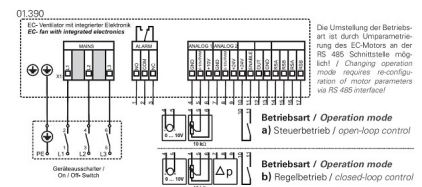
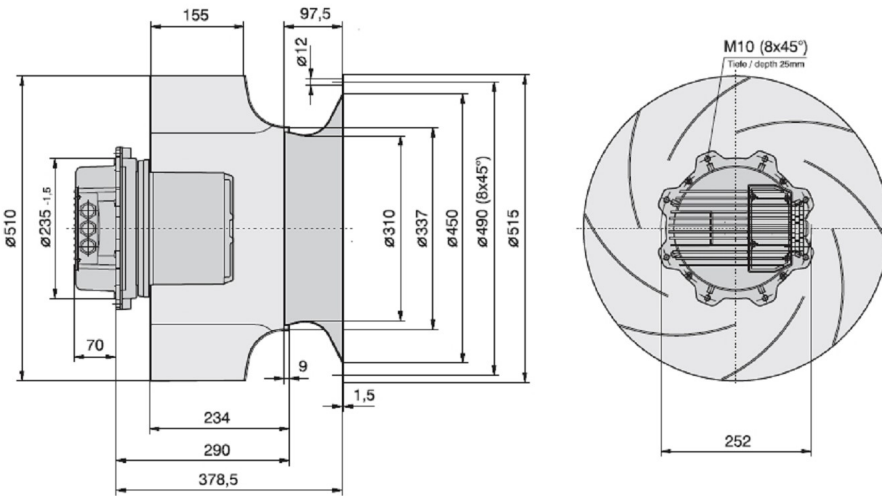
Vol[cfm]	-
dp[inWG]	-

Operating data

Vol[cfm]	-
dp[inWG]	-
dp(dyn)[inWG]	-
n[%]	-
P[kW]	-
I[A]	-
n[1/min]	-
eta[%]	-
Lw8[dBA]	-

Nominal data

Art.	
U[V]	3~380-480
f[Hz]	50/60
P[kW]	3.1
I[A]	4.9@400V
n[1/min]	1750
C[µF]	--
tR[°C]	55
Pst min[Pa]	--
Delta I[%]	--
Ia/In	--
Weight [kg]	26
Connection	01.390



Octaves [dBA]

	125Hz	250Hz	500Hz	1kHz	2kHz	4kHz	8kHz	Total
LwA8	76	84	86	87	84	77	69	92,0
LwA6	73	81	83	84	81	74	66	89,0
LwA5	66	77	80	80	80	75	70	86,0

LwA8: Casing radiated noise plus free outlet sound power level

LwA6: Free outlet sound power level

LwA5: Free inlet sound power level